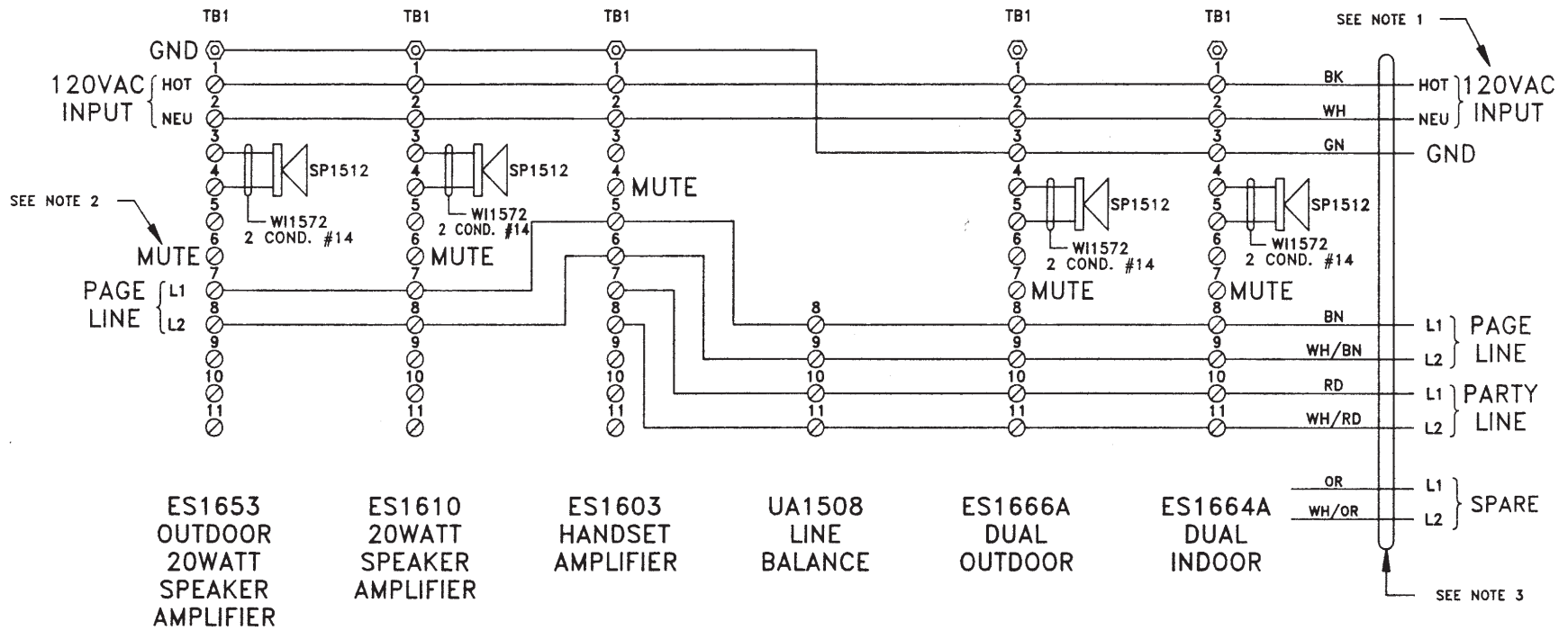


ES101B027 Typical System

ES 1 Page 1 Party



NOTES:

- 1: THE 120VAC INPUT CAN BE SUPPLIED LOCALLY IF REQUIRED.
- 2: THE MUTE TERMINAL IS NORMALLY NOT CONNECTED. TO PREVENT ACOUSTIC FEEDBACK FROM ONE STATION TO ANOTHER JUST CONNECT THE MUTE TERMINAL OF ONE UNIT TO THE MUTE TERMINAL OF THE SECOND UNIT.
- 3: REFER TO DRAWING A-1698 FOR CABLE SPECIFICATIONS.
- 4: ONLY ONE LINE BALANCE (UA1508) IS REQUIRED PER SYSTEM.