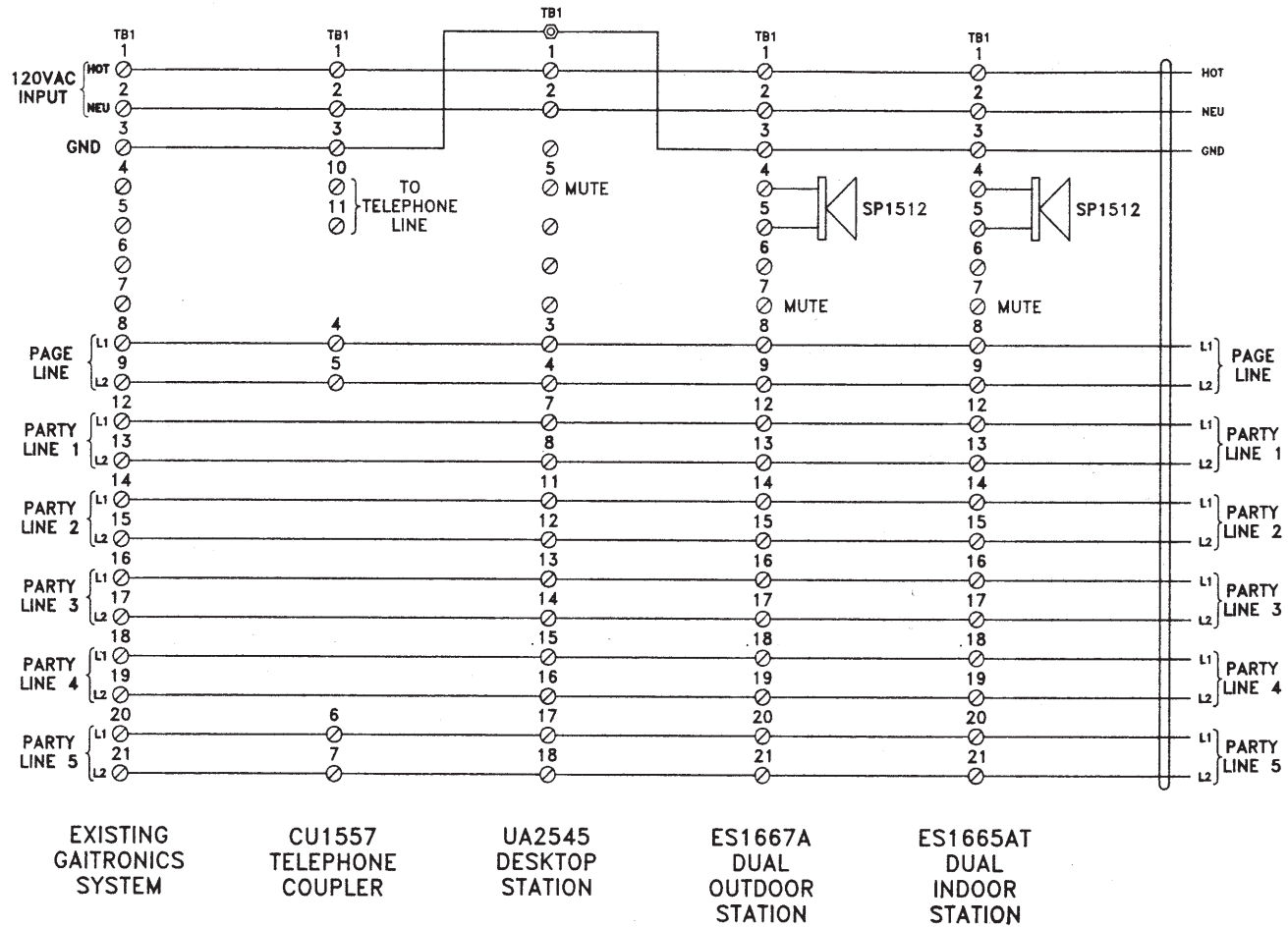


# ES101B027C Typical System

## ES 1 Page 5 Party with Telephone Coupler, CU1557, UA2545, and existing Competitor System



NOTE:  
REMOVE LINE BALANCE RESISTOR FROM  
PARTY LINE CONNECTED TO CU1557.