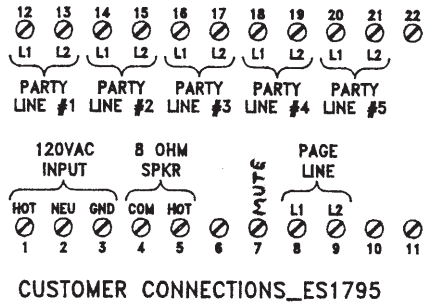


ES101B145 Customer Connections

ES Desk Top Dual Dynamic 20W Speaker Amplifier Station with 5 Party Lines



NOTES:

1. SPEAKER VOLUME CONTROL IS CONCEALED AND IS ADJUSTED THROUGH ACCESS HOLE BEHIND NAMEPLATE.