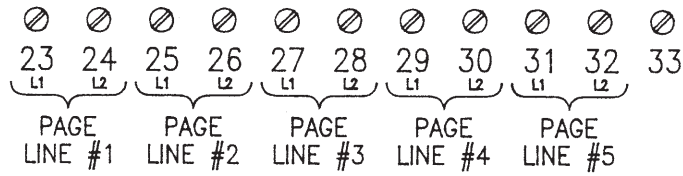
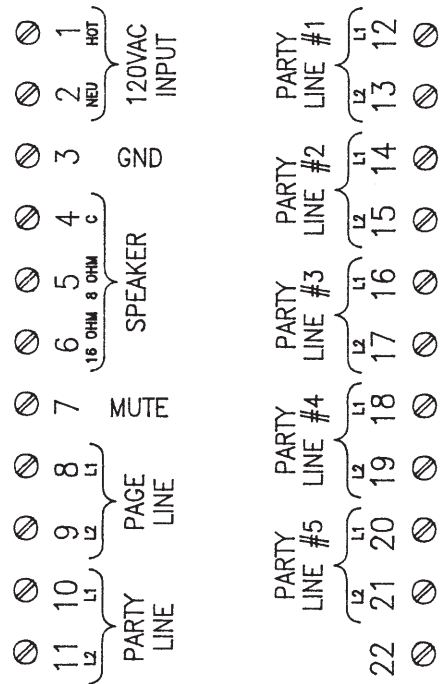


# ES101B165B Customer Connections

## ES Dual Handset Speaker Amplifier 5 Page 5 Party



### CUSTOMER CONNECTIONS