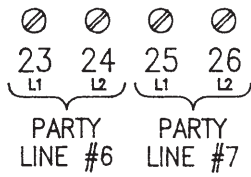
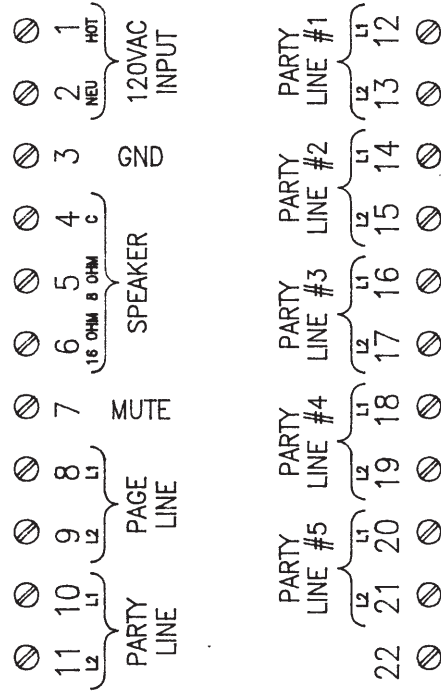


# ES101B165C Customer Connections

## ES Dual Handset Speaker Amplifier 1 Page 7 Party



### CUSTOMER CONNECTIONS