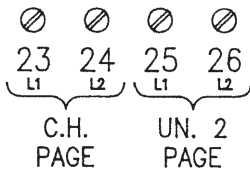
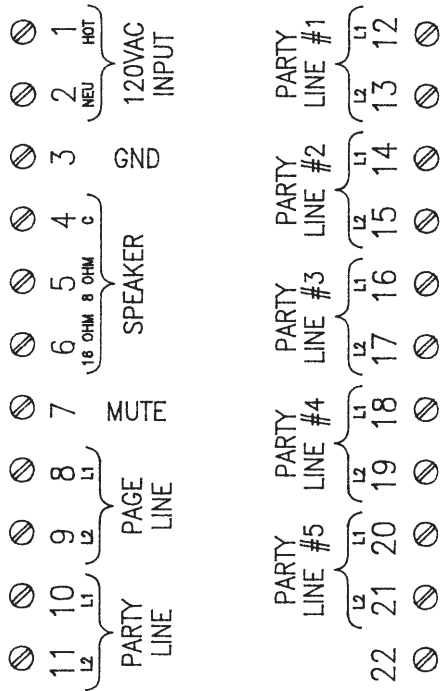


# ES101B165D Customer Connections

## ES Dual Handset Speaker Amplifier 3 Page 5 Party



### CUSTOMER CONNECTIONS