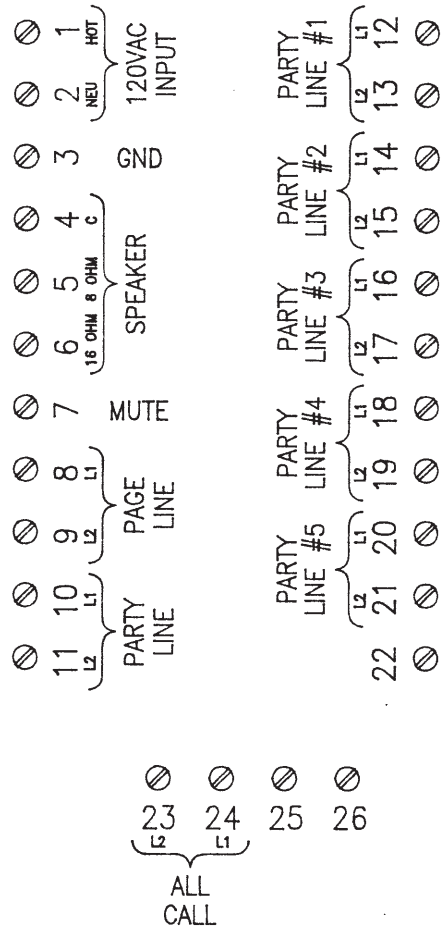


ES101B165Z Customer Connections

ES Dual Handset Speaker Amplifier 5 Party with All Call



CUSTOMER CONNECTIONS