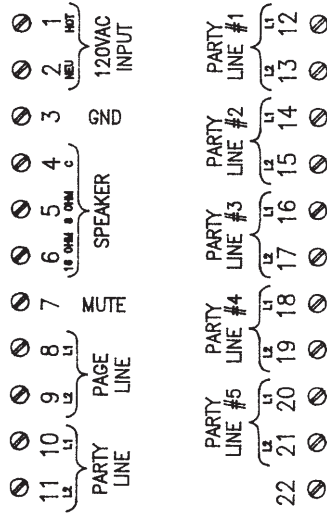


ES101B167AG Customer Connections

ES Outdoor Dual Dynamic Handset 20W Speaker Amplifier Station with 1 Page 5 Party



CUSTOMER CONNECTIONS